

TEC REU @ Pitt 2017

Summer Research in Computational Biology

Department of Computational and Systems Biology
University of Pittsburgh School of Medicine



Training and Experimentation in Computational Biology

May 22 – July 28, 2017 | www.tecbioreu.pitt.edu



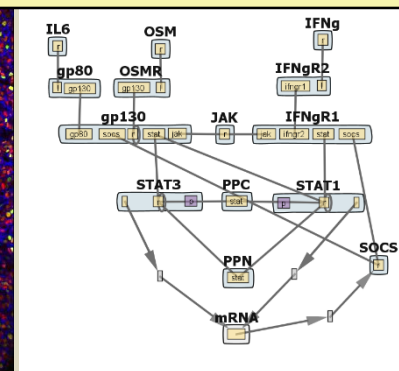
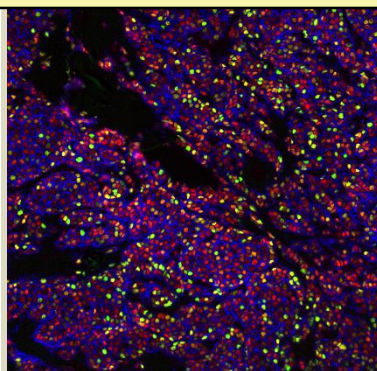
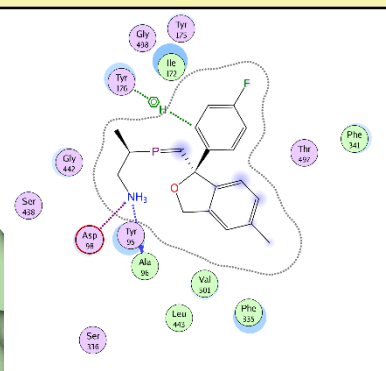
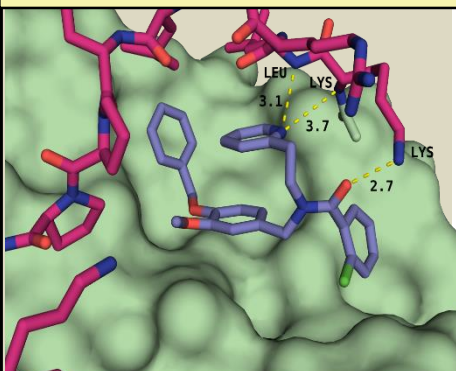
NSF
Research
Experiences for
Undergraduates
Program



Student Scholarship includes:

\$5500 Stipend + Housing and Travel

Application deadline: February 13, 2017



**Who
should
apply?**

- students in life, physical, & computer sciences or engineering
- rising juniors/seniors who are US citizens or permanent residents
- students representing minority groups or from small colleges & universities are highly encouraged to apply.

